

LACO CALENDAR DRYING IRONERS



Laco Calendar Drying Ironer



Right side view



Left side view

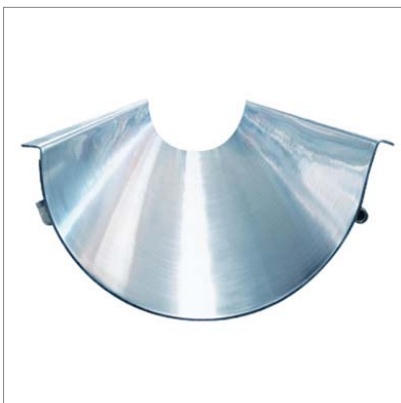


In situations where higher production requirements and flawless quality are prerequisites, and budget permits – the Laco range of Flexi-Bed ironers offer something that cannot be matched by any 'belt' ironer. Different in basic design from the ironing strap system (belts) used in the most other Calendar Drying ironers, these ironers offer upwards of 15% higher production in the same ironing width, with higher quality finishing, and with operating costs at almost half of those found in other conventional 'belt' ironers.

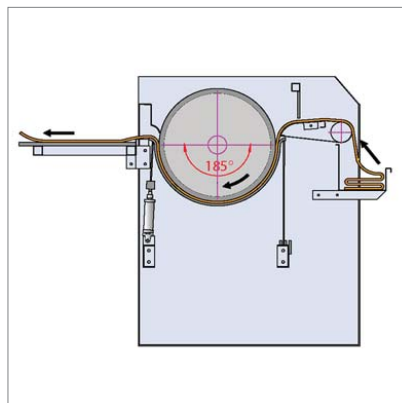
Configured in either Return-Feed, or Through-Feed formats the ironer utilises electric elements mounted directly onto a thermal oil heat exchanger.

Thermal oil (which retains its temperature – requiring less heating), is distributed at pressure through the single piece flexing and self adjusting bed. The Flexi-Bed itself is able to take on the shape of the constantly changing roll providing even and constant pressure across the full width of the ironing area. Larger surface coverage/ironing area increases production output. A perforated steel roll with under springing, and clothed with either Polyester Felt (800gr/cubic metre) or Nomex allows suction through the roll to assist moisture removal.

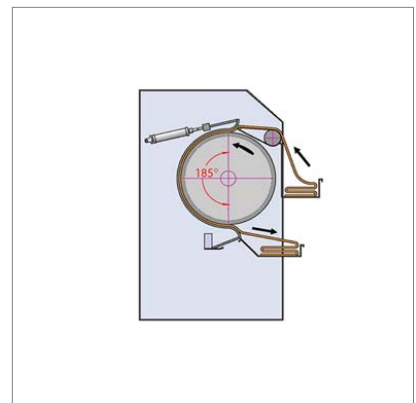
Available with 370mm, 500mm, 600mm and 800mm roll for various production requirements. Available in COMFORT SERIES with built in folder, or add a stand alone feeder and/or folder to the standard range at a later time.



Chest



Through Feed Ironer




Return Feed Ironer

LACO CALENDAR DRYING IRONERS

Features

- Flexi Bed design for increased quality, efficiency and longevity
- Fully adjustable bed to roll pressure – consistent quality over time
- Thermal oil heated for substantial savings in running costs
- Perforated steel roll for effective moisture removal
- No ironing straps – consistent quality finish across the entire linen
- Return-Feed or Through-Feed format available
- Different roll diameters available depending on production requirement

Model / Description	D500-1750*	D500-2000**	D500-2200**	D500-2500**	D500-3000**	D500-3300**
Brand / Supplier						
Production with moisture retention 50%-175 C (kg/h)	65	75	82	95	115	125
Speed (m/min)	1.5-.5/12	1.5-5.5/12	1.5-5.5/12	1.5-5.5/12	1.5-5.5/12	1.5-5.5/12
Cylinder Length (mm)	1750	2000	2200	2500	3000	3300
Cylinder ø (mm)	500	500	500	500	500	500
Width (mm)	2600	2850	3050	3350	3850	4150
Depth (mm)	1723	1723	1723	1723	1723	1723
Height (mm)	1199	1199	1199	1199	1199	1199
Net Weight (kg)	1000	1200	1270	1350	1475	1600
Lateral Folding Option						
Exhaust ø (mm)	75	75	75	75	75	75
Gas Inlet ø (mm)	13	13	13	13	13	13
Gas Consumption (kW)	52	52	52	52	52	52
Steam Inlet ø (mm)	***	***	***	***	***	***
Roll Drive Motor (kW)	0.37/1.5	0.37/1.5	0.37/1.5	0.37/1.5	0.37/1.5	0.37/1.5
Exhaust Motor (kW)	0.25	0.25	0.25	0.25	0.25	0.25
Hydr. Pump (kW)	0.37	0.37	0.37	0.37	0.37	0.37
Circulation Pump (kW)	2.2	2.2	2.2	2.2	2.2	2.2
Electrical Element (kW)	30	30	35	40	45	45
Electrical Rating	380/50/3	380/50/3	380/50/3	380/50/3	380/50/3	380/50/3

* Available as D370

**D600 & D800 available & also in 2100mm length

** *option available on D600/D800

BLOEMFONTEIN
Tel: +27 (0)51 448 5042

NELSPRUIT
Tel: +27 (0)13 010 1240

JOHANNESBURG
Tel: +27 (0)11 553 3700

DURBAN
Tel: +27 (0)31 792 4800

CAPE TOWN
Tel: +27 (0)21 527 4020


LAUNDRY & CATERING